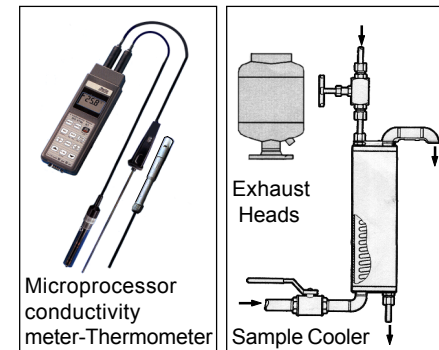
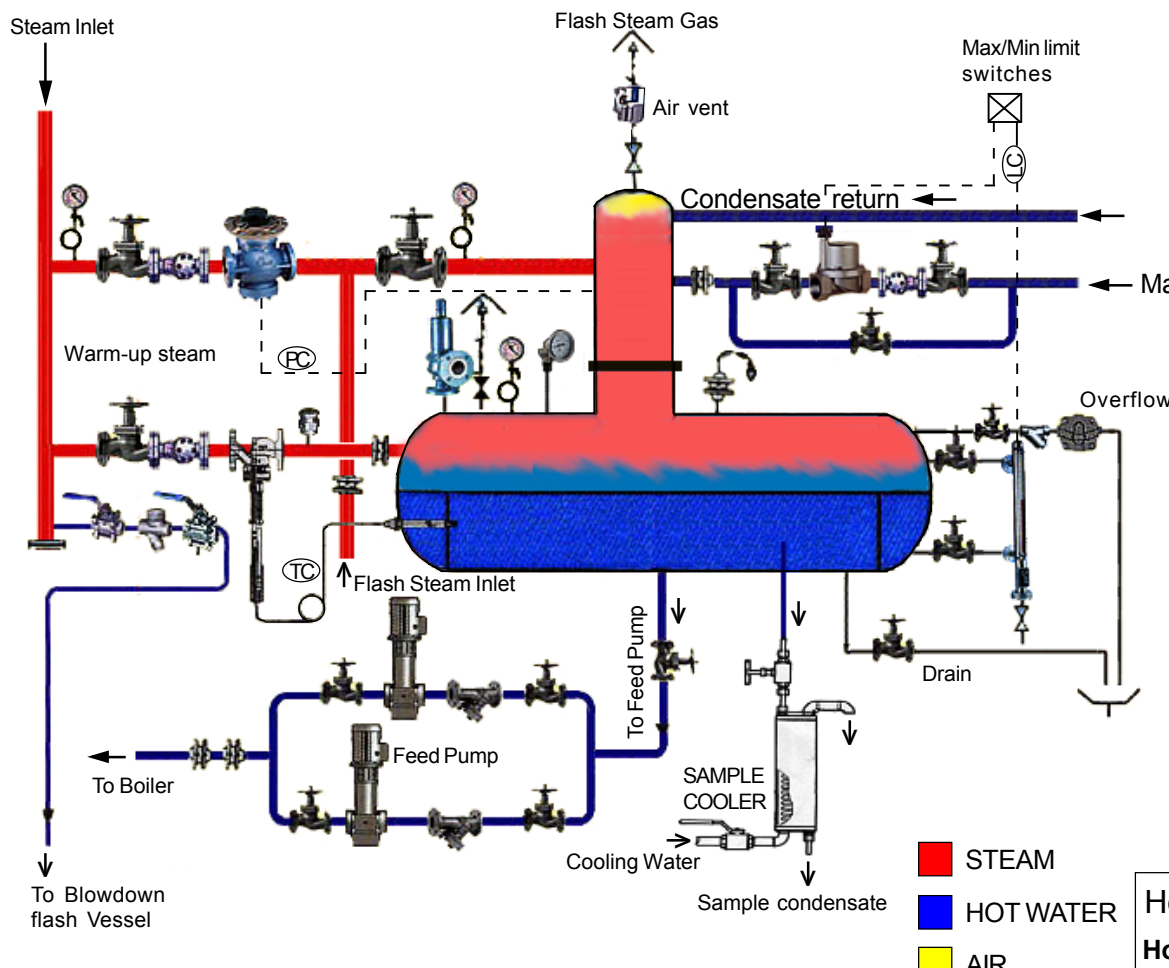




Deaerator & Condensate Tank Equipments



Hot Water Pump
Vertical Multistage Pumps

KMU - V

- Capacity up to 16 m³/h total head up to 250 m
- Special design with unrequired chassis
- Electrical motor in standard of IEC, DIN VDE, and TSE
- Energy saving by frequency control equipment
- Mechanical seal and special material applications

Hot Water Pump
Horizontal Multistage Pumps

KMU

- Capacity up to 16 m³/h total head up to 250 m
- Electrical motor in standard of IEC, DIN VDE, and TSE
- Energy saving by frequency control equipment
- Mechanical seal and special material applications

 PRV.2043-46 size DN 15-150	 Self acting Temp control
 0.35 bar Low Pressure Top	 Series 90 Solenoid valve
 Series 86 Solenoid valve	 Y-Strainer
 Bellow seal Globe valves	 Pneumatic actuator valve
 Level Gauges MG 33	 Pressure & Temp. Gauge
 Air vent TTK 21	 Flow switch AK 100
 C -2 Float switch	 Thermodynamic TDK 71
 C -4 Float switch	 Non-return valves CV10 S1&S2
 VK70, VK71 Vacuum breaker	 Ball float steam trap SK50,SK51
 Steam trap test valve KTV 10	 Safety Relief Valves 716, 746, 756
 Steam injectors	 Ball valve 3 pcs