

HAWK

Instrument Accessories Siphon

S1 to S12



In order to reduce the effect of high temperature steam and effect of rapid pressure surges, Instrument siphons are supplied to prevent live steam directly entering a pressure gauge, pressure transmitter/transducer and pressure switch sensing element. A siphon filled with water or any other suitable separating liquid should be installed between the instrument and instrument line. The siphon can be attached to the process by means of a thread or flange connection. When an instrument is to be used for steam pressures, a siphon is recommended for your applications.

- Various styles and materials for your applications
- Thread, Welded or Flange process connection
- Schedule 20 to 160 pressure rating
- Suitable for pressure gauges, pressure switches and pressure transmitters

Specifications :

Type No.	Design From :	Tube Dimension :	Material Available :
S1	Coiled Pipe , 360°	21*15.7(Sch40), 21*13.8(Sch 80)	Steel, Ss316, Ss304
S2	Pigtail , 180°	21*15.7(Sch40), 21*13.8(Sch 80)	Steel, Ss316, Ss304
S3	Coiled Pipe , 360°	13.7*9.2(Sch40)	Brass, Steel, Ss316, Ss304
S4	DIN16283 U-Shape	21*15.7(Sch40), 21*13.8(Sch 80)	Steel, Ss316
S5	Industrial U-Shape	21*15.7(Sch40), 21*13.8(Sch 80)	Steel, Ss316
S6	Flange Coiled Design	21*15.7(Sch40), 21*13.8(Sch 80)	Ss316, Ss304
S7	Flange Coiled Design	21*15.7(Sch40), 21*13.8(Sch 80)	Ss316, Ss304
S8	Standard 90°	21*15.7(Sch40), 21*13.8(Sch 80)	Brass, Steel, Ss316, Ss304
S9	Standard 270°	21*15.7(Sch40), 21*13.8(Sch 80)	Brass, Steel, Ss316, Ss304
S10	Coiled Pipe , 360°	21*15.7(Sch40), 21*13.8(Sch 80) 21*11.8(Sch160)	Steel, Ss316, Ss304
S11	Elbow 90°	21*15.7(Sch40), 21*13.8(Sch 80)	Steel, Ss316, Ss304
S12	Flange U-Shape	21*15.7(Sch40), 21*13.8(Sch 80)	Ss316, Ss304

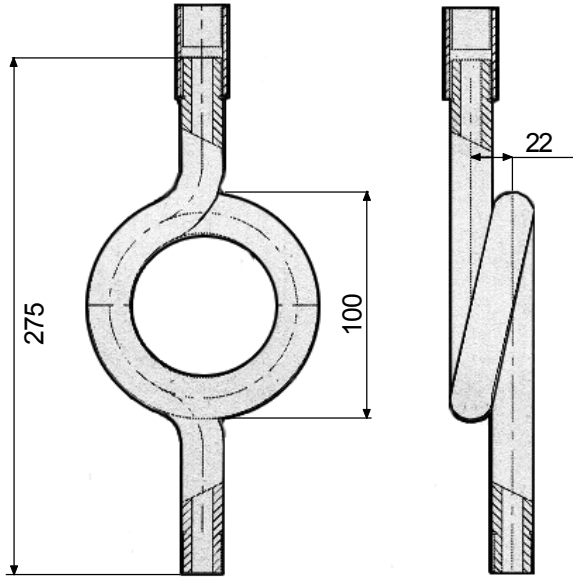
Tube	Max Pressure (bar)			
	80 °C	120 °C	300 °C	400 °C
Brass	25	25		
Steel, SS(Schedule 40)	250	160	100	80
Steel, SS(Schedule 80)	300	300	160	100
Steel, SS(Schedule 160)	400	400	250	160

Instrument Connection :

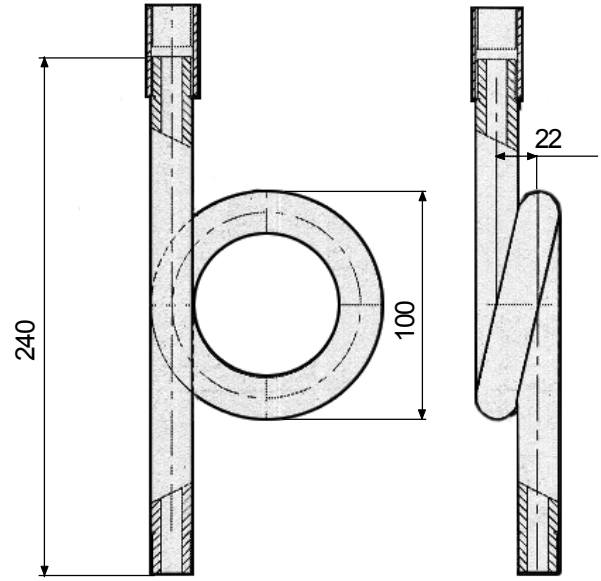
1/2"NPT, G 1/2", LH/RH Union Female, 1/4"NPT, 1/2"NPT, G 1/2", G1/4", R1/2", R1/4" Fixed Female

Process Connection :

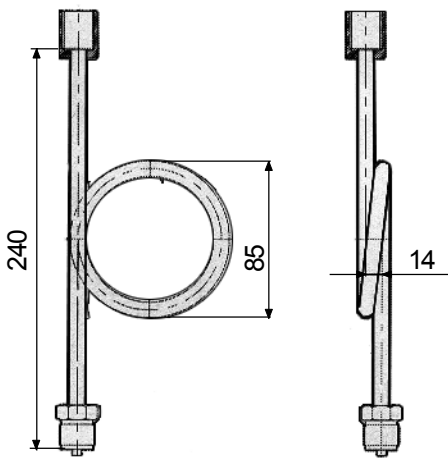
1/4"NPT, 1/2"NPT, G1/2", G1/4", R1/4", M20*1.5, M14*1.0 Male, Welded



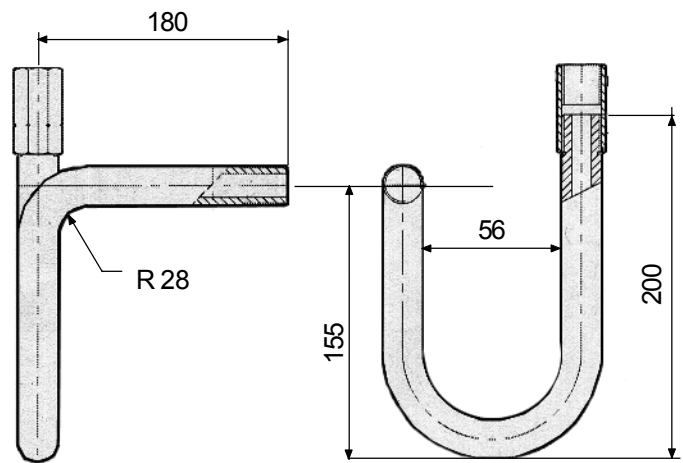
S1 Siphon



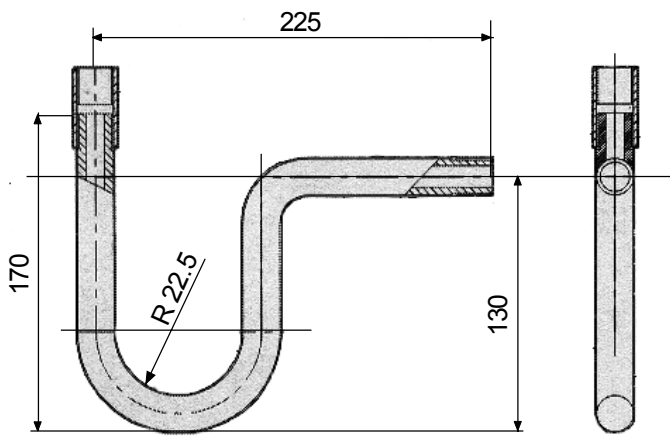
S2 Siphon



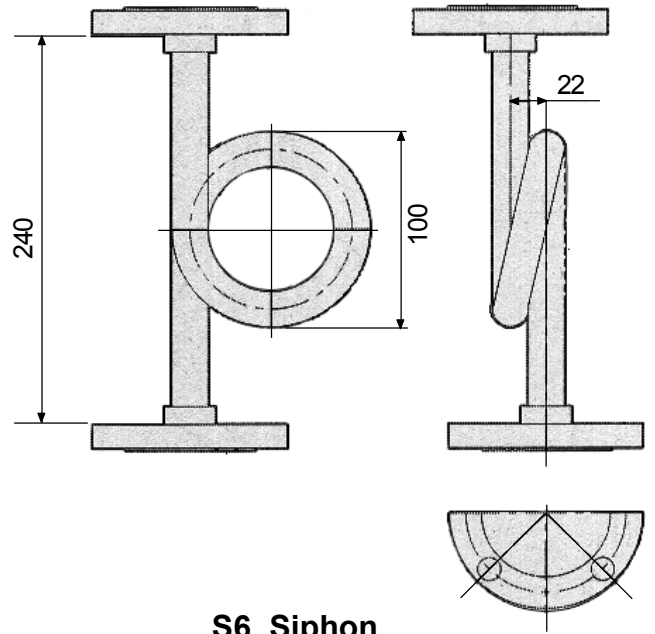
S3 Siphon



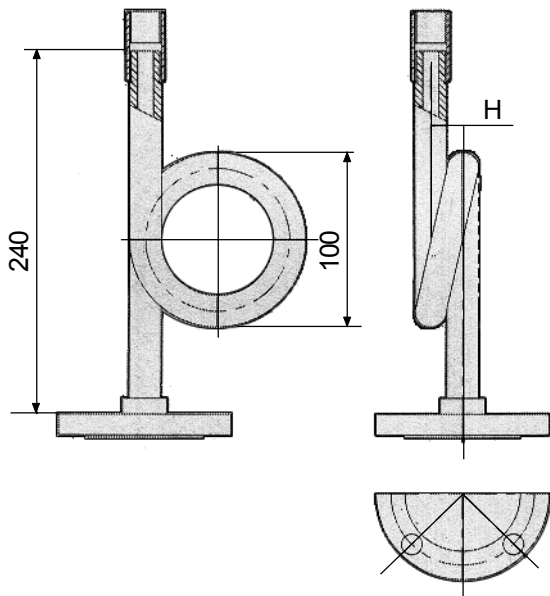
S4 Siphon



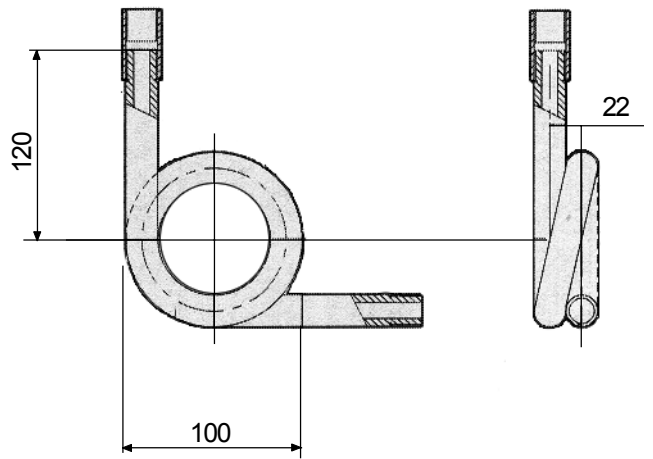
S5 Siphon



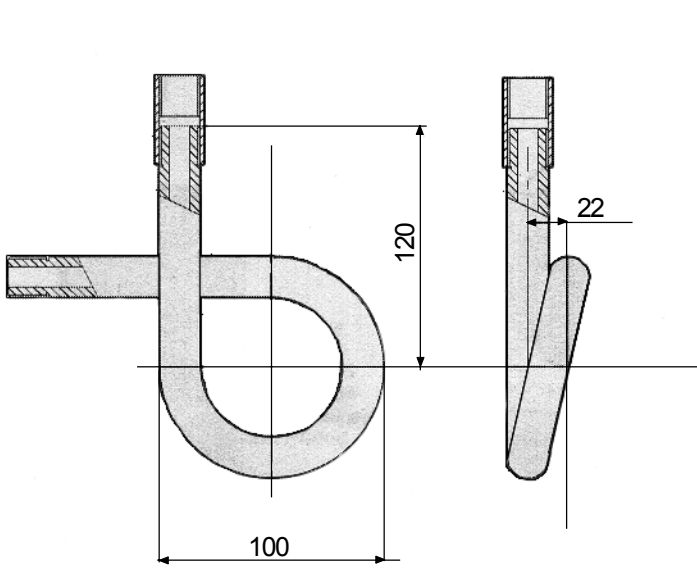
S6 Siphon



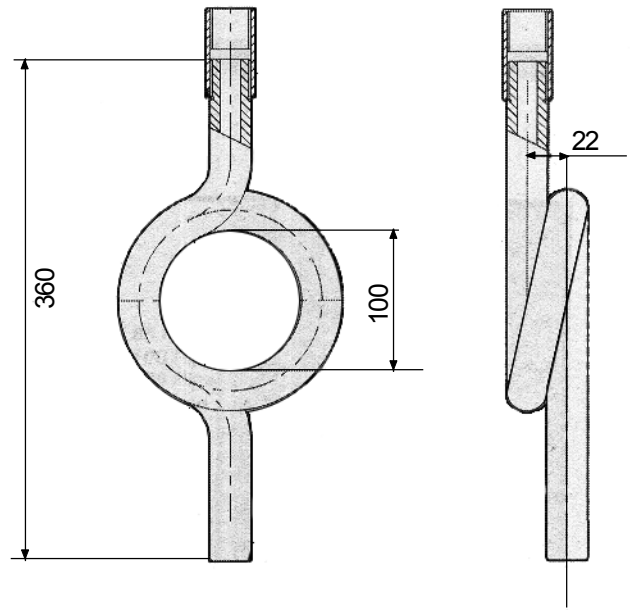
S7 Siphon



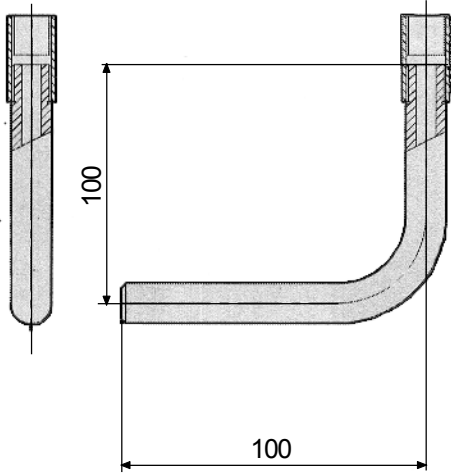
S8 Siphon



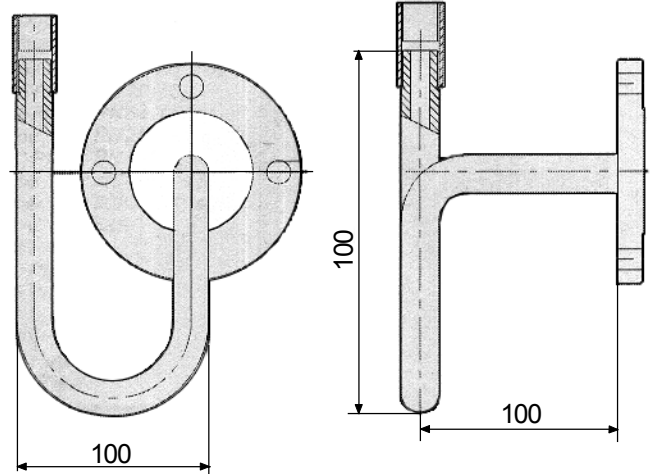
S9 Siphon



S10 Siphon

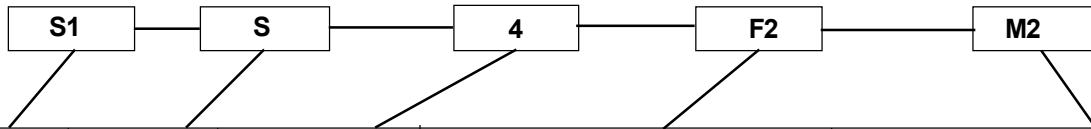


S11 Siphon



S12 Siphon

Order Information :



Siphon Style :	Body Material :	Pressure Rating (Tube) :	Instrument Connection :	Process Connection :	
S1 Coiled Pipe 360° S2 Pigtail, 180° S3 Coiled Pipe, 360° S4 DIN 16283 U-Shape S5 Industrial U-Shape S6 Flange Design S7 Flange Design S8 Standard 90° S9 Standard 270° S10 Coiled Pipe, 360° S11 Elbow 90°	B... Brass I... Steel S... SS 316 A... SS 304 IZ... Steel with Zin Plated	2... Schedule 20 4... Schedule 40 8... Schedule 80 16... Schedule 160	Fixed Male Thread M2... 1/2"NPT M4... 1/4"NPT MB... 1/4"PT MD... G1/2" ME... G1/4" MJ... M20*1.5 MK... M14*1.5 Fixed Female Thread F2... 1/2"NPT F4... 1/4"NPT FB... 1/4"PT FD... G1/2" FJ... M20*1.5 FK... M14*1.5 Union LH/RH Female Thread U2... 1/2"NPT UD... G1/2" Flange Conn : A1- 1/2"Pipe A2- 3/4"Pipe A3- 1"Pipe A4- 1-1/4"Pipe A5- 1-1/2"Pipe A6- 2"Pipe A7- 2-1/2"Pipe A8- 3"Pipe A9- 4"Pipe A0- 5"Pipe D1- DN15 Pipe D2- DN20 Pipe D3- DN25 Pipe D4- DN32 Pipe D5- DN40 Pipe D6- DN50 Pipe D7- DIN65 Pipe D8- DIN85 Pipe D9- DIN100 Pipe D0- DIN125 Pipe	Male Thread M2... 1/2"NPT M4... 1/4"NPT MB... 1/4"PT MD... G1/2" ME... G1/4" MJ... M20*1.5 MK... M14*1.5 W... Welded Flange Conn. A1- 1/2"Pipe A2- 3/4"Pipe A3- 1"Pipe A4- 1-1/4"Pipe A5- 1-1/2"Pipe A6- 2"Pipe A7- 2-1/2"Pipe A8- 3"Pipe A9- 4"Pipe A0- 5"Pipe D1- DN15 Pipe D2- DN20 Pipe D3- DN25 Pipe D4- DN32 Pipe D5- DN40 Pipe D6- DN50 Pipe D7- DIN65 Pipe D8- DIN85 Pipe D9- DIN100 Pipe D0- DIN125 Pipe	JJ- JIS 10A Pipe J1- JIS 15A Pipe J2- JIS 20A Pipe J3- JIS 25A Pipe J4- JIS 32A Pipe J5- JIS 40A Pipe J6- JIS 50A Pipe J7- JIS 65A Pipe J8- JIS 80A Pipe J9- JIS 100A Pipe J10- JIS 125A Pipe Facing : RF- Raised Face FF- Flat Face RJ- Ring Joint XX- Other faces available Rating : ANSI- 150,300, 400,600,900, 1500,2000LB DIN- PN2.5-6 PN 10-40, PN 64-160, PN250-320, PN 400 JIS- 10K, 16K, 20K, 32K, 40K, 63K