

HAWK

Diaphragm Seal (Chemical Seal) Threaded Welded Design

DS-123 to DS-129



Diaphragm seals are used to isolate pressure measuring element of pressure gauges, pressure switches, pressure transmitters, pressure transducers and any other pressure instruments from pressure media which may be corrosive, viscous, contaminated, hot or sedimentary. The threaded type diaphragm seal connection is directly attached to the process by means of a male or female NPT, BSP or BSPT threads. The metal diaphragm of HAWK Series Ds123 to Ds129 is welded to the upper and lower housing without using the sealing o-ring.

- All Welded-Design Construction including Internal Diaphragm, Upper and Lower Housing
- Male or Female Threaded Process Connection
- Flushing Plug Available
- No Sealing Gasket
- Excellent Cost and Performance Ratio

Typical Applications:

- * Freezing or solidifying fluids * corrosive media * suspended solids * viscous fluids * flushing systems
- * high temperature environment * pulp and paper * chemical and petrochemical industries * water treatment
- * filtration systems * incinerators.

Suitable Pressure Range:

- Ds123: 300 to 2500 PSI (4" to 6")
60 to 2500 PSI (2" to 3 1/2")
- Ds124: 160 to 2500 PSI (4" to 6")
15 to 2500 PSI (2" to 3 1/2")
- Ds125: 60 to 2500 PSI (4" to 6")
5 to 2500 PSI (2" to 3 1/2")
- Ds126: 15 to 1000 PSI (2" to 6")
Vacuum, Compound
- Ds127: 5 to 1000 PSI (2" to 6")
Vacuum, Compound
- Ds128: 100 inH₂O to 600 PSI (2" to 6")
Vacuum, Compound
- Ds129: 10 inH₂O to 600 PSI (2" to 6")
Vacuum, Compound

Temperature limit:

- 90 to 400 °C depending on various sealing liquid
- Standard-Silicon...-50 to 300 °C

Body Material:

- 316L Stainless Steel, 304SS, Monel, Hastelloy B, Hastelloy C, Inconel, Nickel, Titanium, Tantalum, Platinum, Zirconium, PTFE Coating, PFA Coating, ETFE Coating, FEP Coating, PVDF Coating, Halar Coating

Diaphragm Material:

- 316L Stainless Steel, 304SS, Monel, Hastelloy B, Hastelloy C, Inconel, Nickel, Titanium, Tantalum, Platinum, Zirconium, PTFE Coating, PFA Coating, ETFE Coating, FEP Coating, PVDF Coating, Halar Coating

Instrument Connection :

- 1/2" or 1/4"NPT, G 1/2", G 1/4" R 1/2", R 1/4", M20*1.5, M14*1.0, Capillary

Process Connection:

- 1/4"NPT, 3/8"NPT, 1/2"NPT, 3/4"NPT, 1"NPT, G 1/2", G 3/8", G 1/4", R 1/4", M20*1.5, M14*1.0 Male or Female

Filling Liquid:

- Silicon oil, Glycerine, Halocarbon, Glycerin/Water, Fluorinated oil

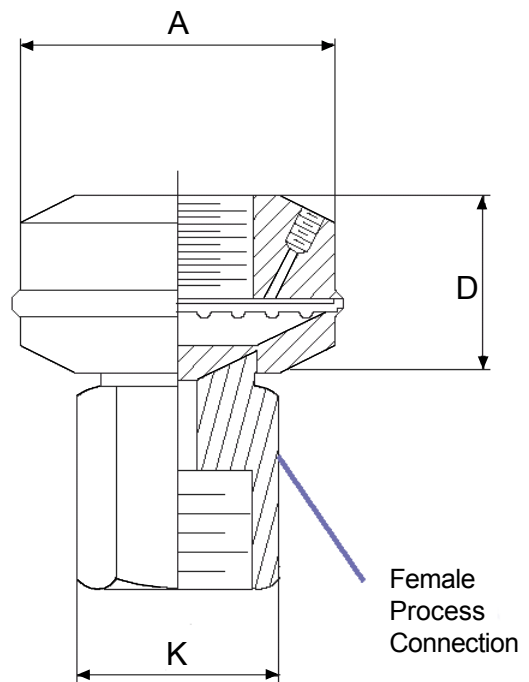
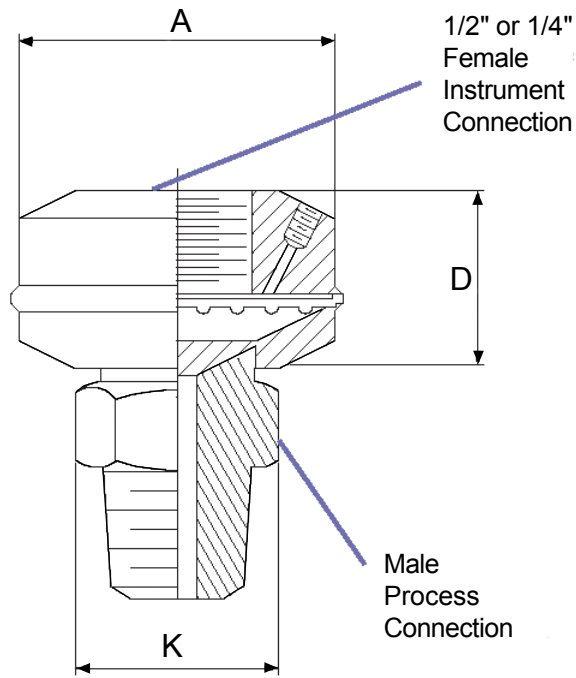
Mounting:

- Direct or Remote capillary mounting

Capillary:

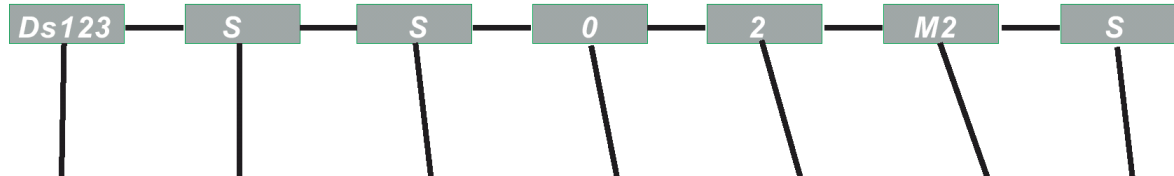
- 316 SS Tube with 304 SS Armour

Dimensions:



Type No:	G	DM	A	D	K
Ds123		1.26"(32mm)	1.26"(32mm)	0.9"(23mm)	
Ds124		1.89"(48mm)	1.89"(48mm)	0.9"(23mm)	
Ds125	1/2"NPT, 1/4 NPT, G 1/2"	2.28"(58mm)	2.28"(58mm)	0.9"(23mm)	1/4", 3/8", 1/2", 3/4", 1" NPT, BSP, BSPT, M20*1.5, M14*1.0 Female or Male
Ds126	G1/4", R 1/2", R 1/4", M20*1.5, M14*1.0	2.90"(72mm)	2.90"(72mm)	0.9"(23mm)	
Ds127	Female	3.50"(89mm)	3.50"(89mm)	1.2"(30mm)	
Ds128		3.90"(99mm)	3.90"(99mm)	1.2"(30mm)	
Ds129		4.90"(125mm)	4.90"(125mm)	1.2"(30mm)	

Order Information :



Diaphragm Size:	Diaphragm Materia:	Body Material:	Flushing Connection:	Instrument Connection:	Process Connection:	Sealing Liquid:
Ds123..... 32mm(1.3") Diaphragm Ds124..... 48mm(1.9") Diaphragm Ds125..... 58mm(2.3") Diaphragm Ds126..... 72mm(2.9") Diaphragm Ds127..... 89mm(3.5") Diaphragm Ds128..... 99mm(3.9") Diaphragm Ds129..... 125mm(4.9") Diaphragm	E...Hastelloy B H...Hastelloy C O...Inconel M...Monel S...SS 316L A...SS 304 N...Nickel T...Titanium U...Tantalum Q...Platinum R...Zirconium Coating X1...PTFE Coating X2...PFA Coating X3...ETFE Coating X4...FEP Coating X5...PVDF Coating X6...Halar (ECTFE) Coating X...Material such as Tantalum/PTFE Coating= T1 316SS/PTFE Coating= S1	E...Hastelloy B H...Hastelloy C O...Inconel M...Monel S...SS 316 A...SS 304 N...Nickel T...Titanium U...Tantalum Q...Platinum R...Zirconium Coating X1...PTFE Coating X2...PFA Coating X3...ETFE Coating X4...FEP Coating X5...PVDF Coating X6...Halar (ECTFE)Coating X...Material such as Tantalum/PTFE Coating= T1 316SS/PTFE Coating= S1	0...Non 4...1/4"NPT Female 8...1/8"NPT Female	2...1/2"NPT Female Thread 4-1/4"NPT Female Thread D-G 1/2" Female Thread E-G 1/4" Female Thread J-M20*1.5 Female Thread K-M14*1.5 Female Thread G-Capillary Connection	Male Thread M2-1/2"NPT M3-3/8"NPT M4-1/4"NPT M5-3/4"NPT M1-1"NPT M6-1 1/2"NPT MB-1/4"PT MD-G 1/2" MQ-G 3/8" ME-G 1/4" MH-G 3/4" MI-G 1" MJ-M20*1.5 MK-M14*1.5 Female Thread F2-1/2"NPT F3-3/8"NPT F4-1/4"NPT F5-3/4"NPT F1-1"NPT FB-1/4"PT FD-G 1/2" FQ-G 3/8" FE-G 1/4" FH-G 3/4" FI-G 1" FJ-M20*1.5 FK-M14*1.5	S...Silicon oil T...Silicon oil High Temp G...Glycerine W...Water and Glycerine M...Mineral Oil V...Vegetable Oil H...Halocarbon oil F...Fluorinated oil I...FDA approved White oil